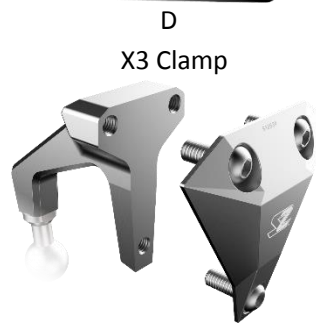
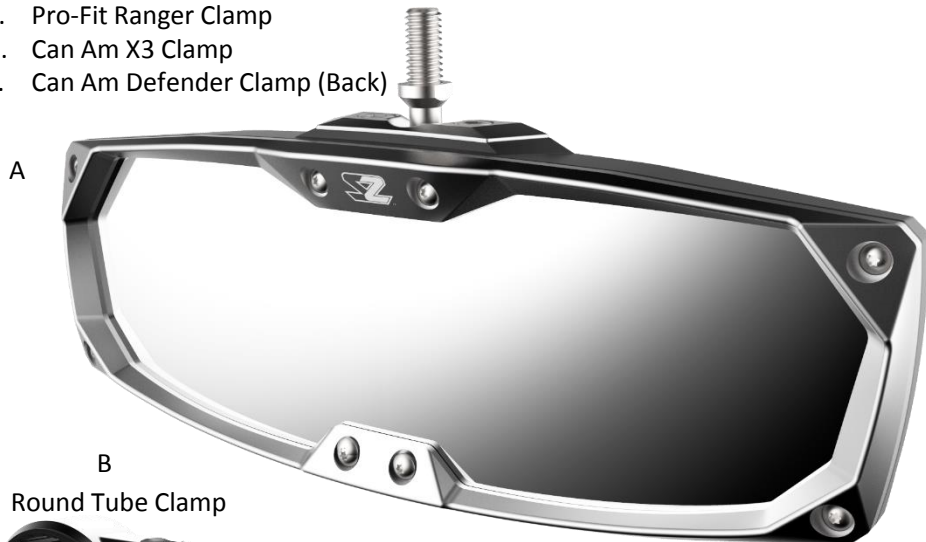


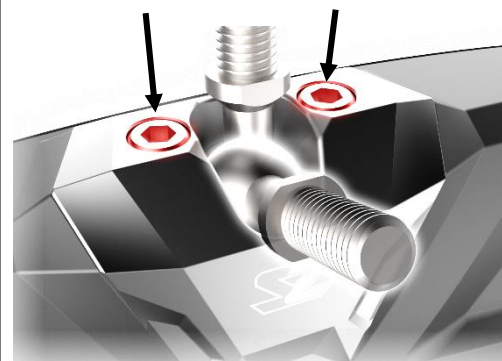
## Parts List

- A. Mirror Assembly
- B. Round Tube Clamp
- C. Pro-Fit Ranger Clamp
- D. Can Am X3 Clamp
- E. Can Am Defender Clamp (Back)

# 18011, 18012, 18013, 18014, 18015 Installation Manual



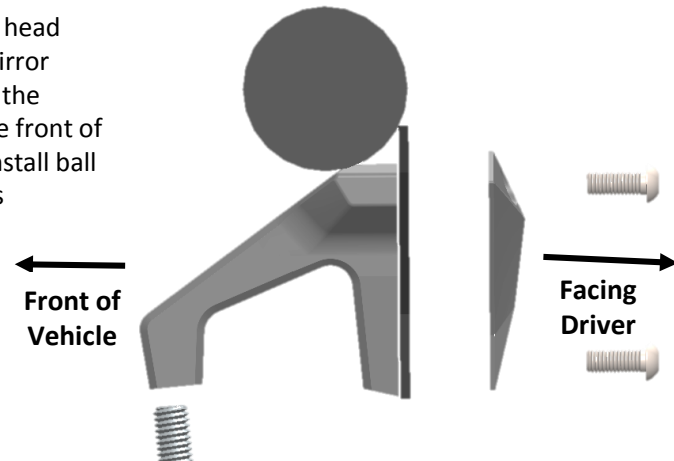
Use these bolts to adjust tension on the ball joint. Clockwise turn will increase tension, Counter-clockwise will decrease tension.



## Can Am X3 18014



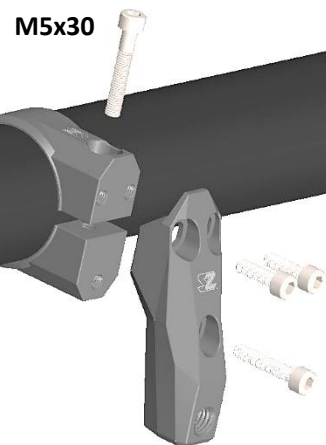
Using the supplied M6x16mm button head bolts, install the badge onto the X3 mirror mounting plate facing the driver, and the mirror ball joint arm facing toward the front of the vehicle as shown in the images. Install ball joint and mirror onto clamp. Adjust as necessary.



## Round Tube Cages 18011, 18012



Unbolt the ball joint arm from the 2 clamp halves. Wrap the clamp halves around the tubing as shown and install M5x30 bolt to secure the 2 halves together. Use the remaining M5 bolts to attach the ball joint arm to the clamp halves. Install ball joint and mirror onto clamp. Adjust as necessary.



## Pro-Fit Ranger 18013



Attach the Ranger Pro-Fit mount to the header panel flange as shown. Tighten the M6x12mm button head bolt to secure the bracket and mirror to the header panel. Install ball joint and mirror onto clamp. Adjust as necessary.



### Parts List

- A. Mirror Assembly
- B. Round Tube Clamp
- C. Pro-Fit Ranger Clamp
- D. Can Am X3 Clamp
- E. Can Am Defender Clamp (This Side)

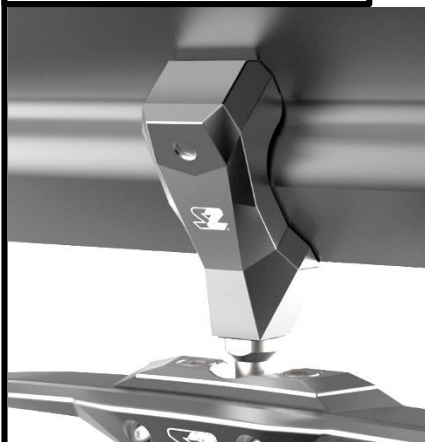
## 18011, 18012, 18013, 18014, 18015 Installation Manual



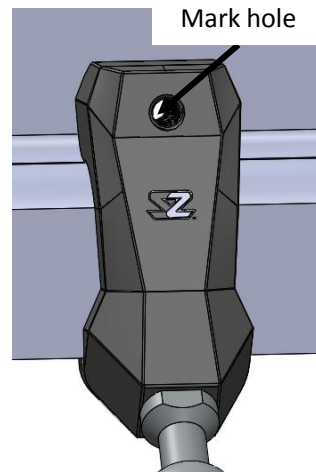
E  
Defender Clamp



### Can Am Defender 18015



Hold up bracket to header panel as shown and using the hole in the top of the bracket as a guide. Mark and drill a .25" hole in the header panel for the top M6 button head bolt to go through.



←  
Front of  
Vehicle

→  
Facing  
Driver

