

Over Armour Offroad

2515 Bypass Rd. Flemingsburg, KY 41041
606-845-7439

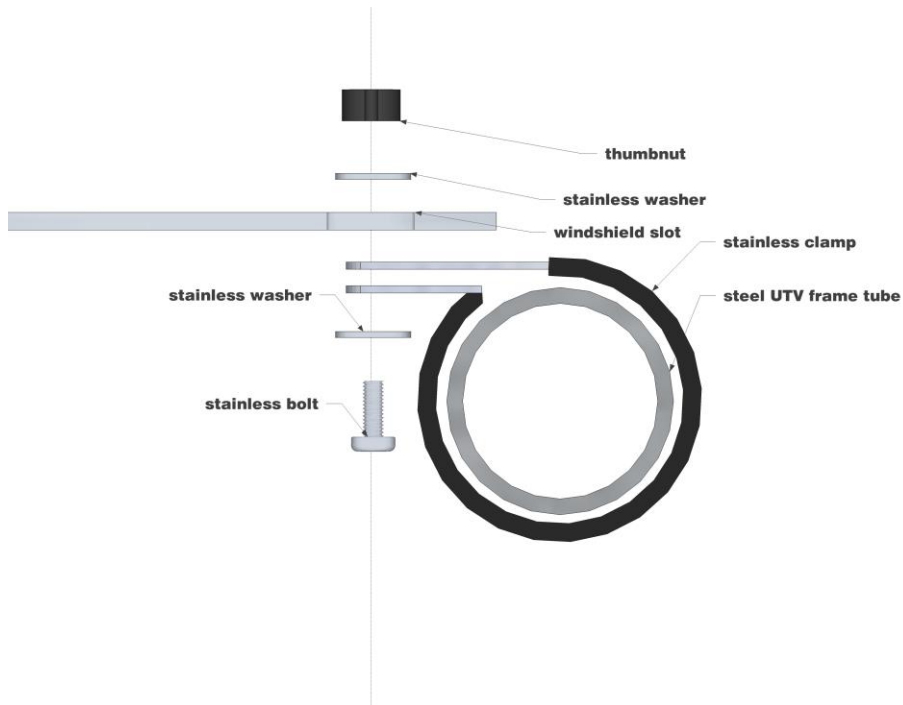
Instructions for Installation and Care of
Kubota RTV900
Folding Lexan Windshield
KU-RTV900-WD03

NOTICE: Please check contents of package for any damage and make sure all parts fit correctly and you are happy with the product before removing protective film. Once the film is removed you cannot return the product for a full refund.

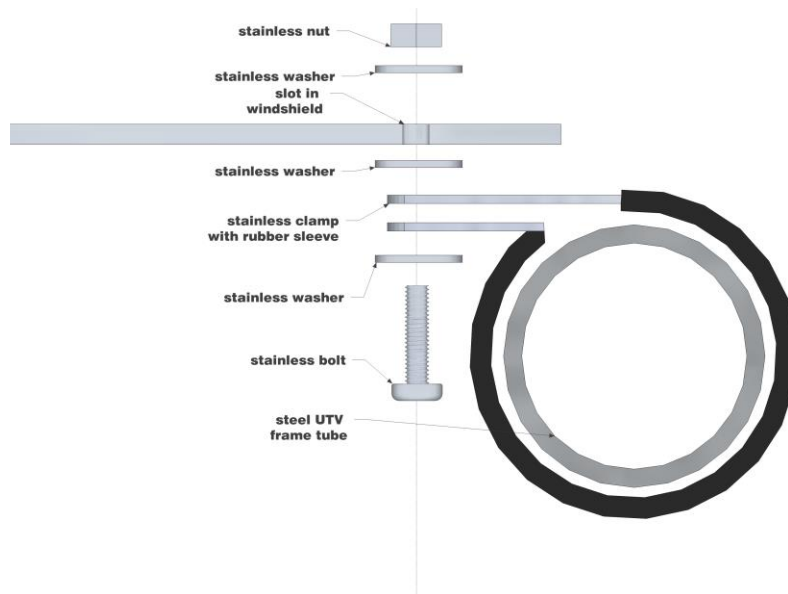
1. Be sure to read these instructions thoroughly before opening and installing the Kubota RTV900 Lexan Windshield.
2. Check over the parts included in the cartons with the parts list shown below:

2" Loom Clamps	8 each
1" Stainless Steels Bolts	12 each
1 ¼" Stainless Steels Bolts	4 each
Stainless Steel Washers	34 each
Stainless Steel Lock Nuts	8 each
Plastic Thumb Nuts	6 each
Stainless Steel Nuts	4 each
52" Rubber Gasket	1 each
Lexan braces	2 each
Lexan Windshield	1 each

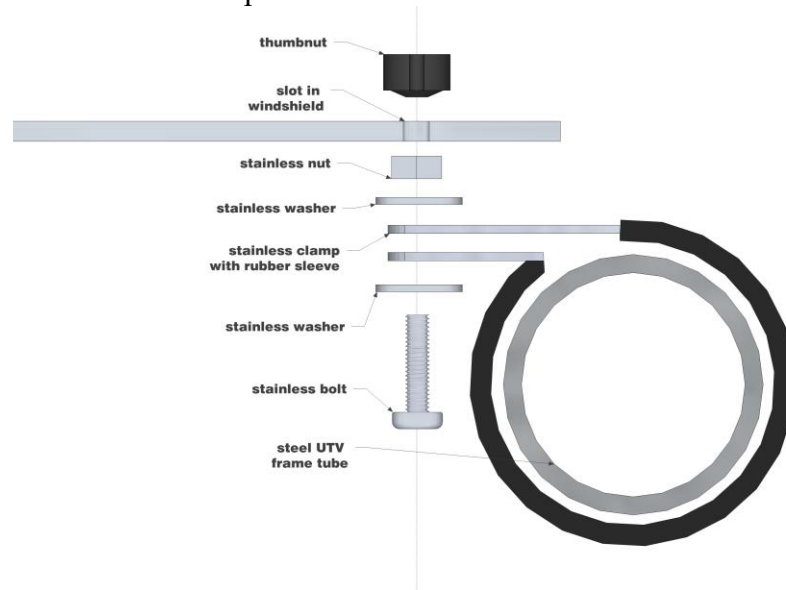
3. Start by pulling it out of the box and find a clean area to lay it down and install the hardware. Next take the 52" piece of rubber gasket and starting at one end firmly place along entire bottom edge of the Windshield. You will need to peel back the protective film from the edge to install the gasket. If you leave the bulk of the protective film on while installing you can keep from scratching the windshield.
4. Next take the two bent Lexan braces and install them on the windshield. You will notice that one of the braces has a curved edge; this is the top brace and will go on the outside of the windshield at the top of the windshield. The bend will be above the bolts when installed. The bottom brace will go just below the hinge on the inside of the windshield. As before the bend will be above the bolts, when installed the brace should look like a shelf pointing towards the rear of the vehicle.
5. Now you are ready to place the windshield on the RTV and attach to the roll cage.
NOTE: THE BEND AT THE TOP OF THE WINDSHIELD SHOULD GO BELOW THE TOP TUBE. The diagram on the next page shows the proper placement for the hardware. Install the clamps as shown for the top two slots in the windshield only. Use the 1" bolts for this application.



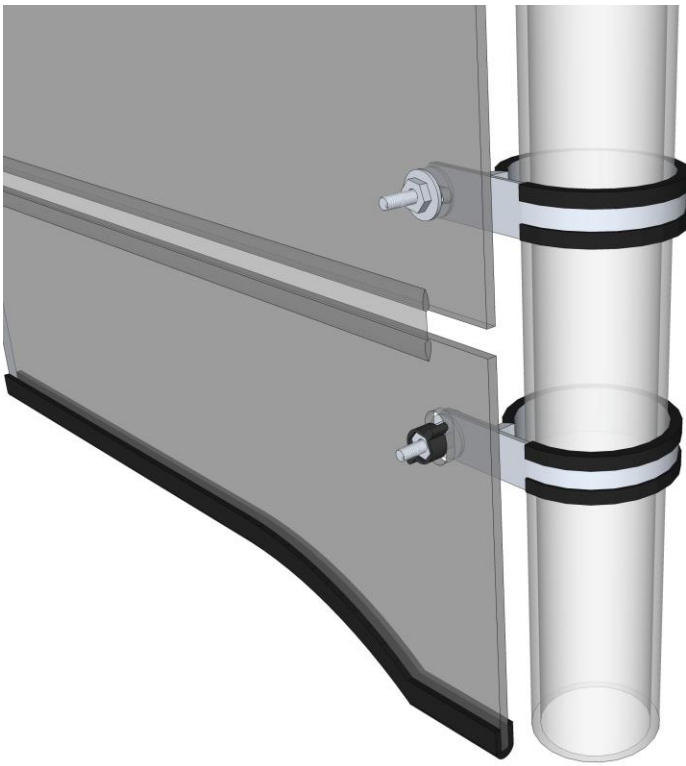
6. Now install the clamp for the slot right above the hinge. You will use the 1 ¼" bolts for this. Below is the diagram showing how this is installed. You will have some of the bolt sticking out towards the front of the vehicle. This is to hold the bottom section of the windshield when it is in the raised position. You will use the same thumb nut for the raised and lowered positions.



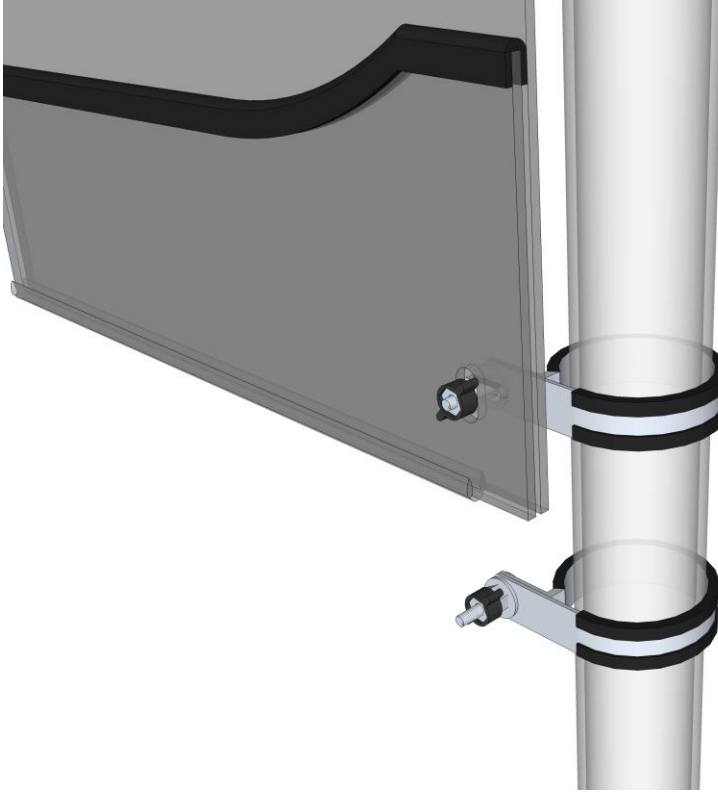
7. Finally install a clamp around the tube below the hinge as shown below. You will use the 1 ¼" bolts here. This clamp holds the bottom of the windshield down.



8. Enjoy, and remember- when cleaning the windshield do so gently at first with warm water and mild detergent to dislodge any grit that may scratch the Lexan. After rinsing and drying with a soft cloth, you may then polish the windshield with an appropriate commercially available plastic polish, also available from Over Armour. This will ensure many seasons of clarity and keep scratching and swirling to a minimum. Never use cleaners such as Windex that contain ammonia as doing so may adversely affect the windshield.



DOWN POSITION



UP POSITION