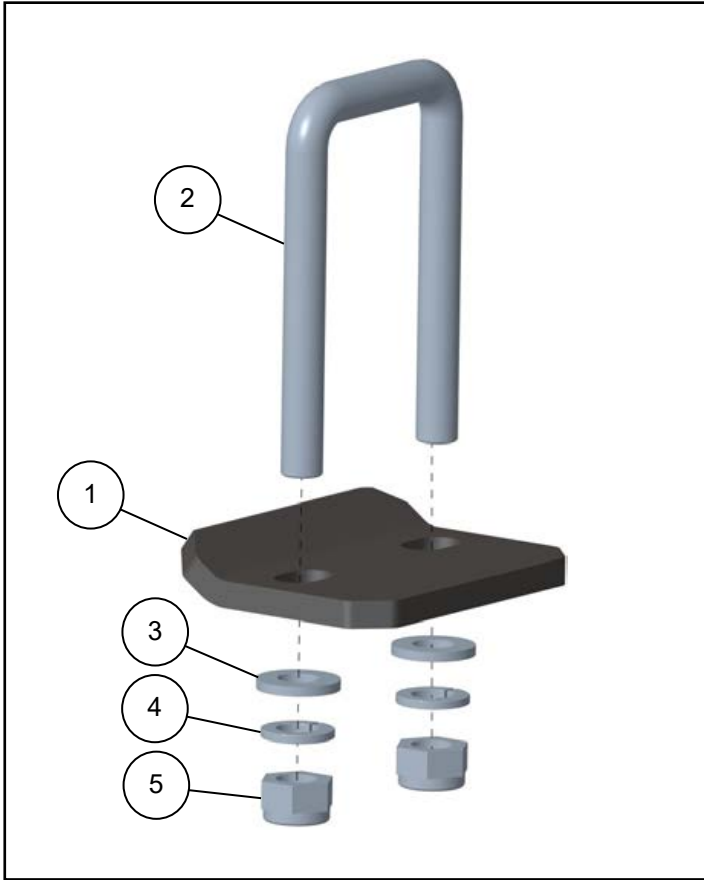


# HITCH STABILIZER

Product Instructions | Part No: 85625

## KIT CONTENTS



REF	QTY	PART DESCRIPTION
1	1	Hitch Stabilizer Plate
2	1	Square U-Bolt - M12
3	2	Flat Washer - M12
4	2	Lock Washer - M12
5	2	Locknut - M12

## TOOLS REQUIRED

- 19mm Wrench or Socket

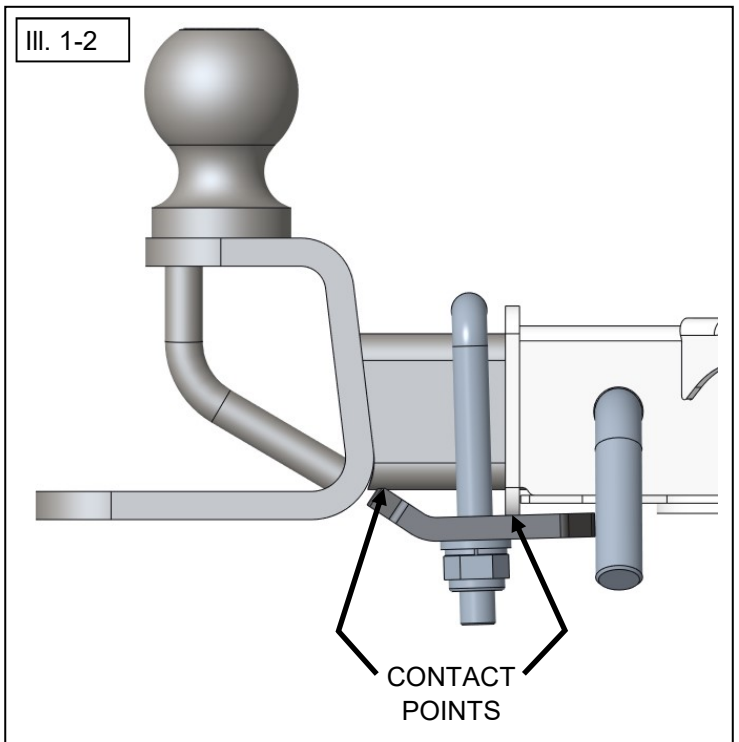
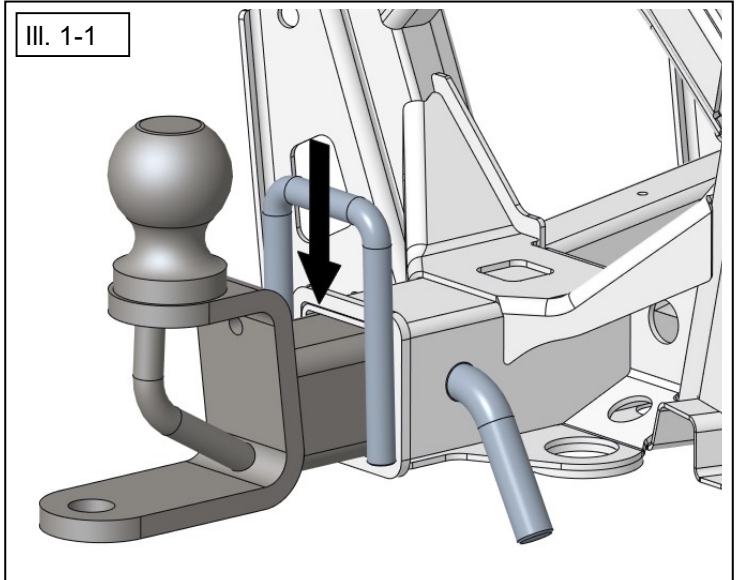
## BEFORE YOU BEGIN

- Verify all parts and tools are accounted for. If parts are missing, do not return to the store. Please contact Kolpin customer service department at (877) 956-5746 or (763) 478-5800 or email [customerservice@kolpin.com](mailto:customerservice@kolpin.com).
- Follow all steps correctly and in the sequence described.
- Keep these instructions for future reference or for informational requests.
- To facilitate installation, make sure that your vehicle is clean and free of debris.

## MOUNTING INSTRUCTIONS

1. Place the Square U-Bolt [Item 2] over the shank of the 2" hitch ball or accessory mounted in your vehicle's 2" receiver. See Illustration 1-1.
2. Place the Stabilizer Plate [Item 1] on the bottom side of the shank. The angled lip of the Stabilizer Plate should contact with the bottom of the shank and the opposite side of the Stabilizer Plate should contact the lip of the vehicle's receiver opening. See Illustration 1-2.
3. Assemble the Flat Washers [Item 3], Lock Washers [Item 4] and Lock Nuts [Item 5] onto the Square U-Bolt and tighten securely.
4. After your first ride/drive, inspect and re-tighten Lock Nuts if necessary.

Note: The orientation of the Hitch Stabilizer assembly can be flipped upside down if needed for certain applications or additional clearance.





## **USE AND CARE INFORMATION:**

- Check the accessory mounts frequently and retighten if necessary.
- When this accessory becomes dirty, rinse thoroughly with cool water to remove loose dirt, then wipe with a clean cloth or sponge.
- Never use petroleum solvents such as gasoline, thinner, benzene, acid or alkaline cleaners.
- For additional assistance, please contact Kolpin customer service department at (877) 956-5746 or (763) 478-5800 or email [customerservice@kolpin.com](mailto:customerservice@kolpin.com)

## **ONE YEAR LIMITED WARRANTY**

For the period of one (1) year from the purchase date, Kolpin will replace for the original purchaser, free of charge, any part or parts found upon examination by Kolpin to be defective in material, workmanship, or both.

All transportation costs incurred submitting product to Kolpin for warranty consideration must be borne by the purchaser. If Kolpin determines that the product must be returned to the factory for credit, please call 1-877-956-5746 for a Return Merchandise Authorization (RMA) number and shipping instructions.

This warranty does not apply to parts that have been damaged by accident, alteration, abuse, improper maintenance, normal wear, or other causes beyond the manufacturer's control. In order to protect you and your ATV, certain parts of the accessory system and/or hardware are designed to fail when the equipment is over-stressed. Parts that are lost due to loosening and improper maintenance are not covered under warranty. This warranty does not cover removal or reinstallation labor fees of the accessory system and related components. Most hardware is general in nature and is easily obtained locally. Be sure to replace with minimum metric class 8.8 specification.

**Kolpin Outdoors, Inc.**

**Telephone: (763)-478-5800**

**Toll Free: (877)-956-5746**

**Fax Number: (800)-245-7569**

**[www.kolpin.com](http://www.kolpin.com)**

**Email: [customerservice@kolpin.com](mailto:customerservice@kolpin.com)**