



# Bench Center Console Installation Instructions

Stock No.: 4470

Please read and understand these instructions completely before installation to avoid injury to yourself or damage to the vehicle or accessory.

**Dealer:** These instructions contain important information for future reference and must be given to the customer at time of purchase or upon completion of installation.

## Parts List:

ITEM	PART NAME	PART NO.	DESCRIPTION	QTY.
1	Console	100-4470	Bench Center Console assembly	1

**Please Note:** The Bench Center Console was designed to fit most UTVs. These particular instructions demonstrate mounting this accessory on a UTV with a bench seat. Because seat styles may vary in size and design, use your best judgement in determining where to locate the console in order to provide a secure and stable installation.

- 1) Position your Bench Center Console onto the passenger seat of your vehicle as indicated in **Image "A"**.
- 2) Once you have the Bench Center Console positioned properly, draw the seatbelt along the side of the unit and across the groove in the front of the unit as indicated in **Image "B"**.
- 3) Fasten the seatbelt on the opposite side as indicated in **Image "C"**.
- 4) The Center Console is properly mounted when the seatbelt is securely fastened and pressing the console into the back of the seat.
- 5) **Maintenance and Care:** Periodically check the Bench Center Console that it is securely mounted.

**⚠ WARNING** Failure to follow these installation instructions completely may void any warrantable components and result in property damage or personal injury. NEVER operate or transport UTV with unsecured cargo.

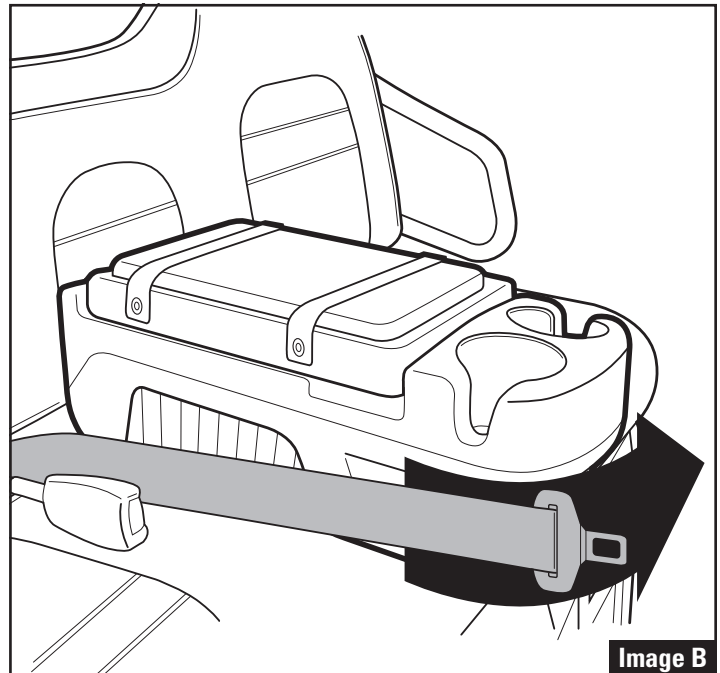


Image B

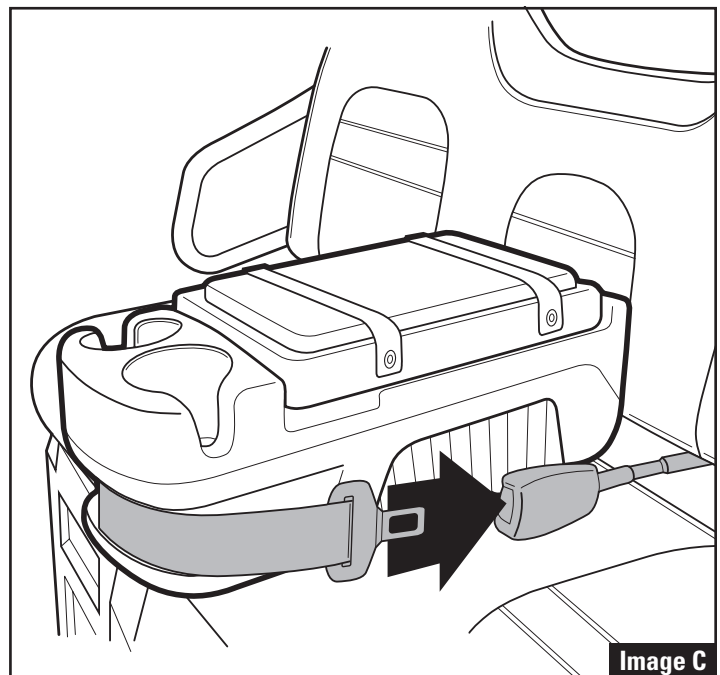


Image C

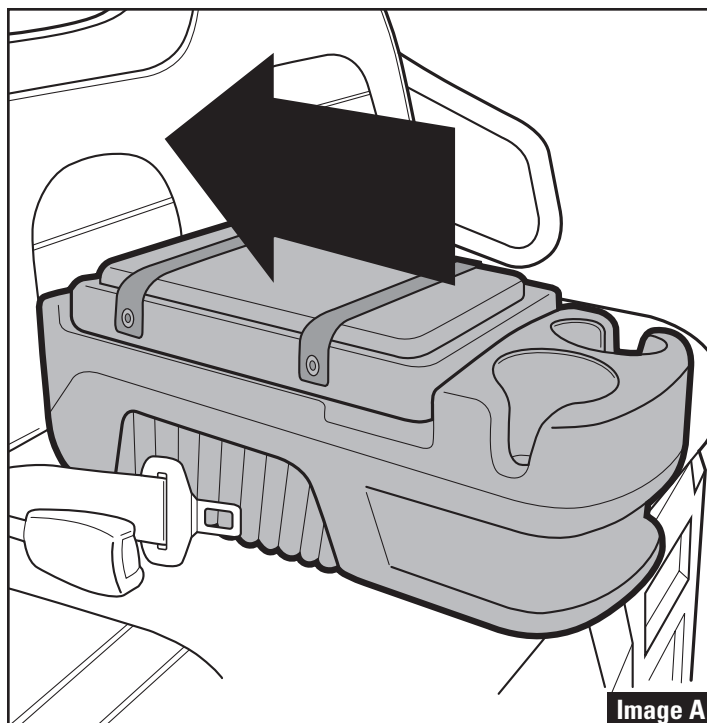


Image A

For additional assistance, please contact our customer service department at:  
Kolpin Outdoors, Inc. | 205 N. Depot Street | Fox Lake, WI 53933  
1.877.956.5746 | customerservice@kolpin.com