



UTV CONQUEROR FRONT-CONNECT TRACKED VEHICLE PLOW EXTENSION

P/N 35-0350

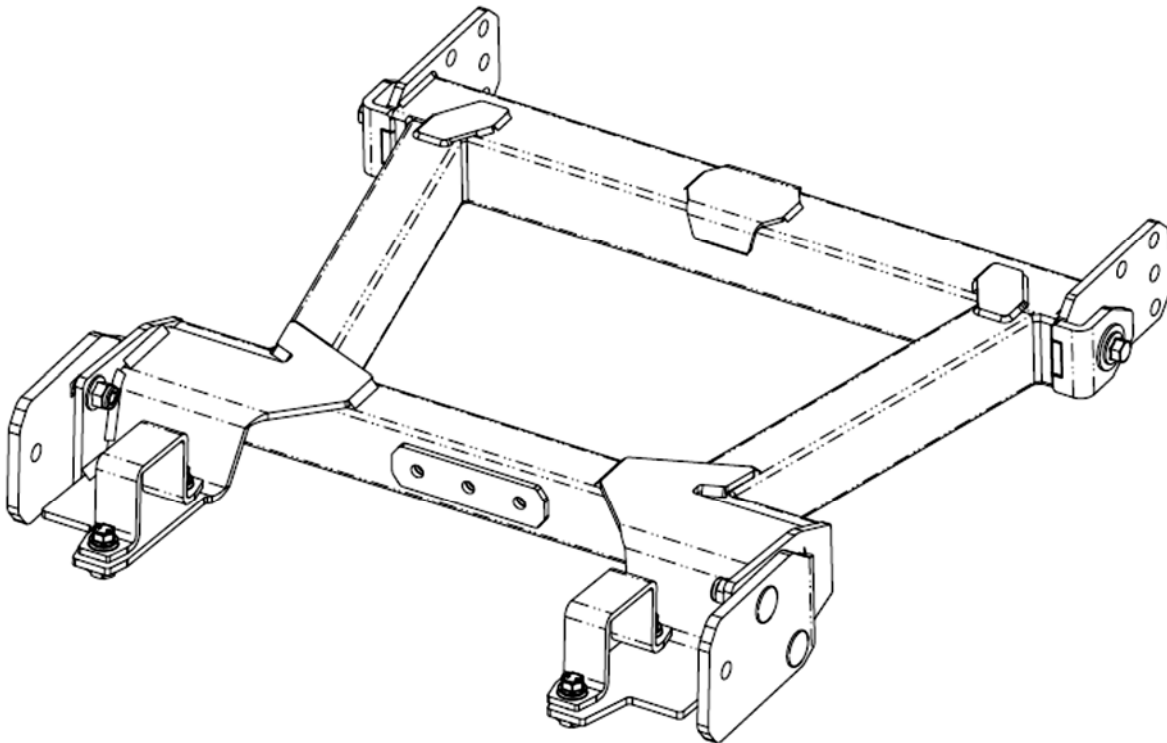
OWNER'S MANUAL

Application

UTV CONQUEROR FRONT-CONNECT PLOW FRAME NO. 35-0070

**ATTENTION DEALER: CUSTOMER MUST RECEIVE A COPY OF THIS MANUAL
AT THE TIME OF SALE.**

Before you begin, please read these instructions and check to be sure all parts and tools are accounted for. These instructions will help you to become familiar with operation of the plow push frame. Instructions contain details required to install, service the contents of this kit, for adjustment and maintenance.



INTRO

Thank you for purchasing Kolpin engineered products. With proper installation, usage, care, and maintenance, your Kolpin product will last for years to come.

BEFORE YOU BEGIN

- Your Kolpin accessory is exclusively designed for your vehicle.
- Read and understand the entire installation manual, including all installation instructions, operating instructions, safety warnings and guidelines before installing or operating your accessory. Failure to comply may result in damage to the product and / or vehicle, and can lead to hazards up to and including death.
- Verify all parts and tools are accounted for. If parts are missing, do not return to the store. Call us for help, **Toll Free 1-877-956- 5746**
- Follow all steps correctly and in the sequence described.
- Keep these instructions for future reference or for informational requests.
- To facilitate installation, make sure that your vehicle is clean and free of debris.
- All directions referring to right and left are from the rider perspective when sitting on the machine.

ASSEMBLY TIME

Approximately 24 minutes

SAFETY INFORMATION

Please read and understand all Cautions, Notices, and Warnings in this manual before you begin. In order to protect you and your ATV / UTV, certain parts of the plow system and / or hardware are designed to fail when the equipment is over-stressed.

Follow these guidelines to ensure satisfactory operation:

- Read this manual and your ATV / UTV operators manual before use.
- Periodically check for wear and tightness of all fasteners. Replace or re-torque fasteners as necessary.
- Before first use, set plow in the furthest right or left angled position to check for interference with the vehicle.
- Operate with extreme caution on slopes and rough terrain. Be familiar with the area before you plow.
- Be aware of immovable objects that could be hidden in the area you are plowing.
- To avoid damage when pushing snow into a pile, reverse direction before raising the plow blade.
- Do not ram the plow blade into piles of snow.
- For best results, set the suspension preload of your ATV / UTV to the stiffest setting.
- To reduce steering effort and increase mobility, set the air pressure of your tires to the maximum pressure specification.
- The plow skids are adjustable. General skid setting is even with the plow wear bar bottom edge, higher settings reduce the chance of rocks and gravel from being collected.
- To increase traction during plow operation, operators can try: Securing weight to the ATV / UTV for additional tire downforce, reducing tire air pressure, or installing tire chains.



WARNING



TO AVOID SERIOUS INJURY OR DEATH:

1. DO NOT EXCEED 5 MPH (8 KMH) WITH BLADE INSTALLED
2. OPERATE WITH EXTREME CAUTION ON SLOPES, STEEP GRADES, AND ROUGH TERRAIN
3. ALLOW NO RIDERS ON BLADE OR ATV WHILE MOVING OR STATIONARY
4. KEEP BYSTANDERS AWAY FROM THE BLADE OR ATV WHILE MOVING OR STATIONARY
5. WHEN PUSHING HEAVY MATERIAL, DIRECTION CONTROL MAY BECOME DIFFICULT
6. BEFORE ADJUSTING BLADE: STOP ATV ENGINE; SET AND LOCK BRAKES; RAISE AND LOCK BLADE
7. LOWER BLADE TO DOWN POSITION WHEN BLADE AND ATV ARE NOT IN USE
8. READ BLADE INSTRUCTION SHEETS AND ATV OWNER'S MANUAL

REQUIRED SOLD SEPARATELY

Only parts for installation of the Plow Push Frame Kit are included. For complete snow plow system installation, additional items are required such as a plow blade, plow frame, vehicle plow mount, winch, and winch mount. See www.Kolpin.com for products to complete your plow system.

TOOLS REQUIRED

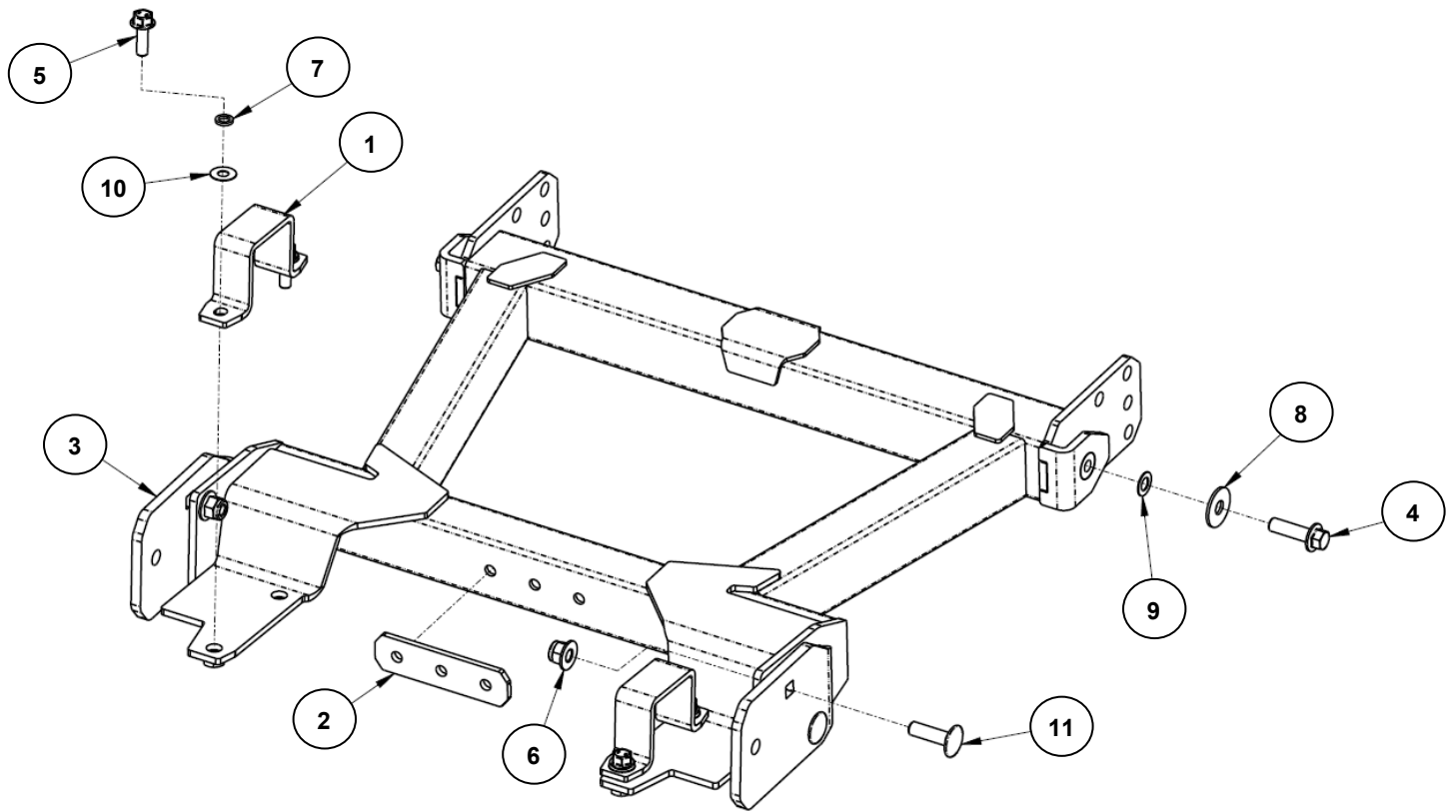
- Safety Glasses
- Socket Set, Metric
- Torque Wrench
- Wrench Set, Metric

IMPORTANT

The use of a Kolpin winch with the combination of Kolpin auto-stop and synthetic winch rope are recommended for use with this plow system to prevent premature failure of the winch cable. The winch should be installed on the unit prior to installing this kit.

KIT CONTENTS

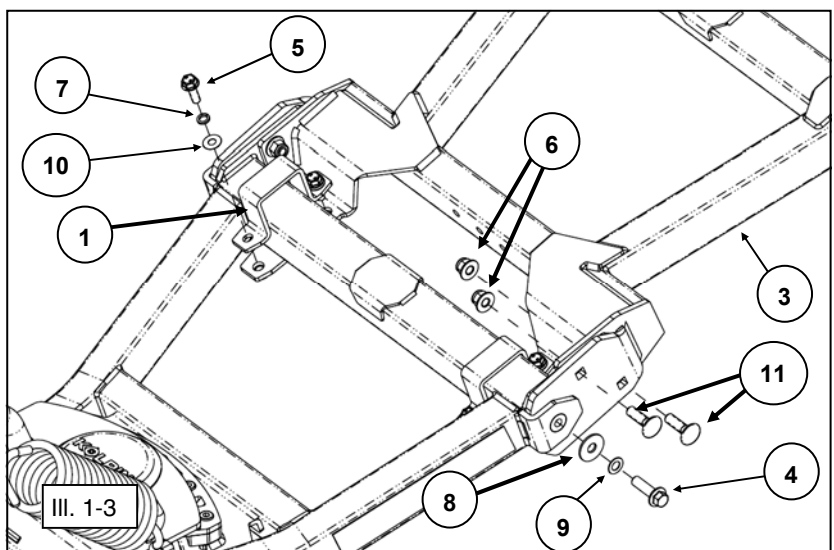
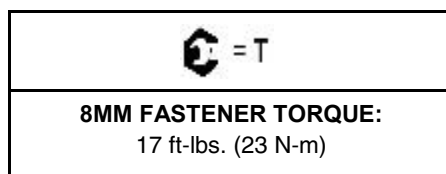
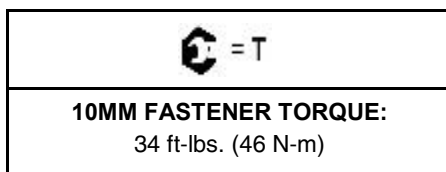
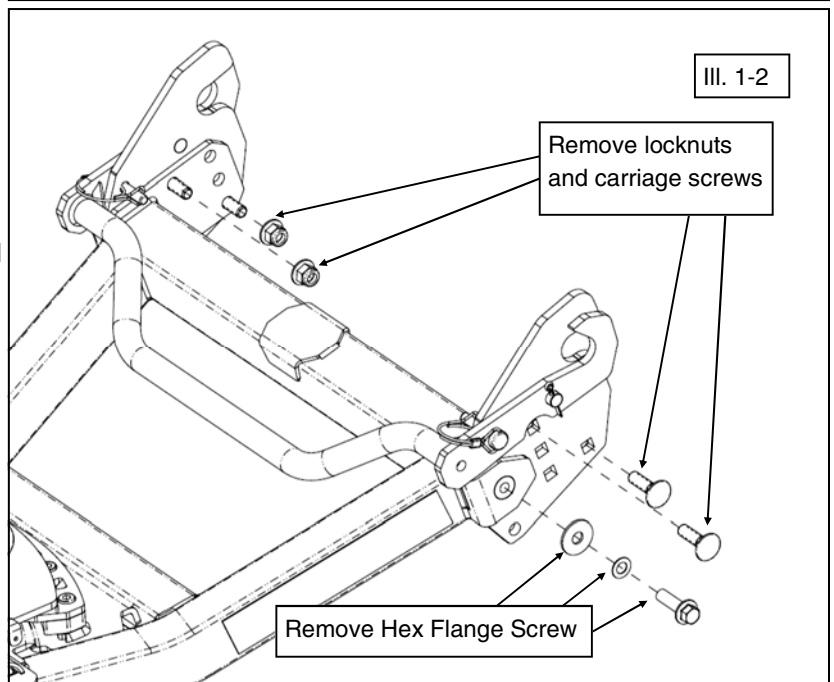
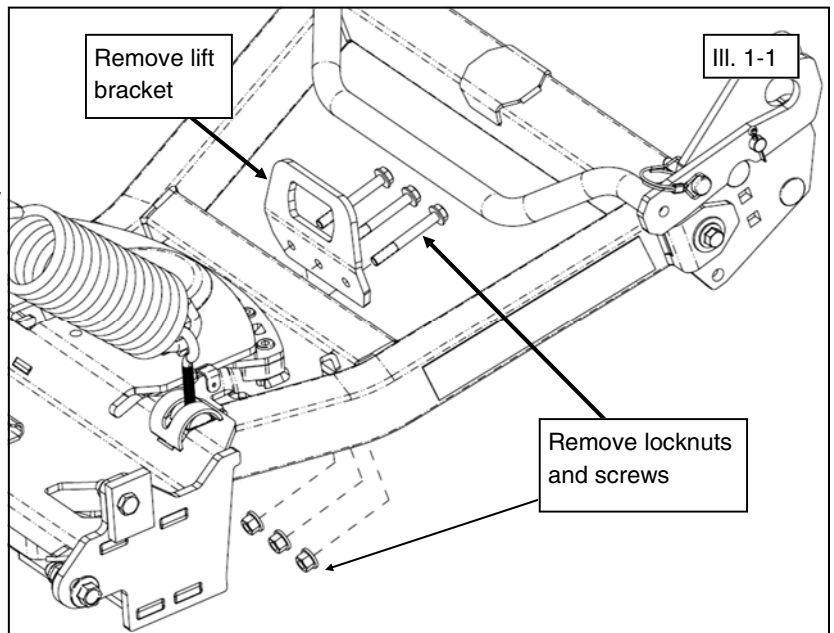
Item	Qty	Part Description	Part Number
1	2	Tube Clamp Bracket, Painted	-
2	1	Lift Point Tube Support, Painted	-
3	1	Plow Frame Extension	-
4	2	Hex Flange Screw, Zinc Plated, M10-1.5 x 35mm LG	-
5	4	Hex Flange Screw, Zinc Plated, M8-1.25 x 25mm LG	-
6	4	Hex Flange Locknut, Zinc Plated, M10-1.5	-
7	4	Lock Washer, Zinc Plated, M8	-
8	2	Flat Washer, Zinc Plated, M10	-
9	2	Lock Washer, Zinc Plated, M10	-
10	4	Flat Washer, Zinc Plated, M8	-
11	4	Carriage Screw, Zinc Plated, M10-1.5 x 35mm LG	-
12	1	Instruction Manual (not shown)	-



INSTALLATION INSTRUCTIONS

EXTENSION FRAME ASSEMBLY

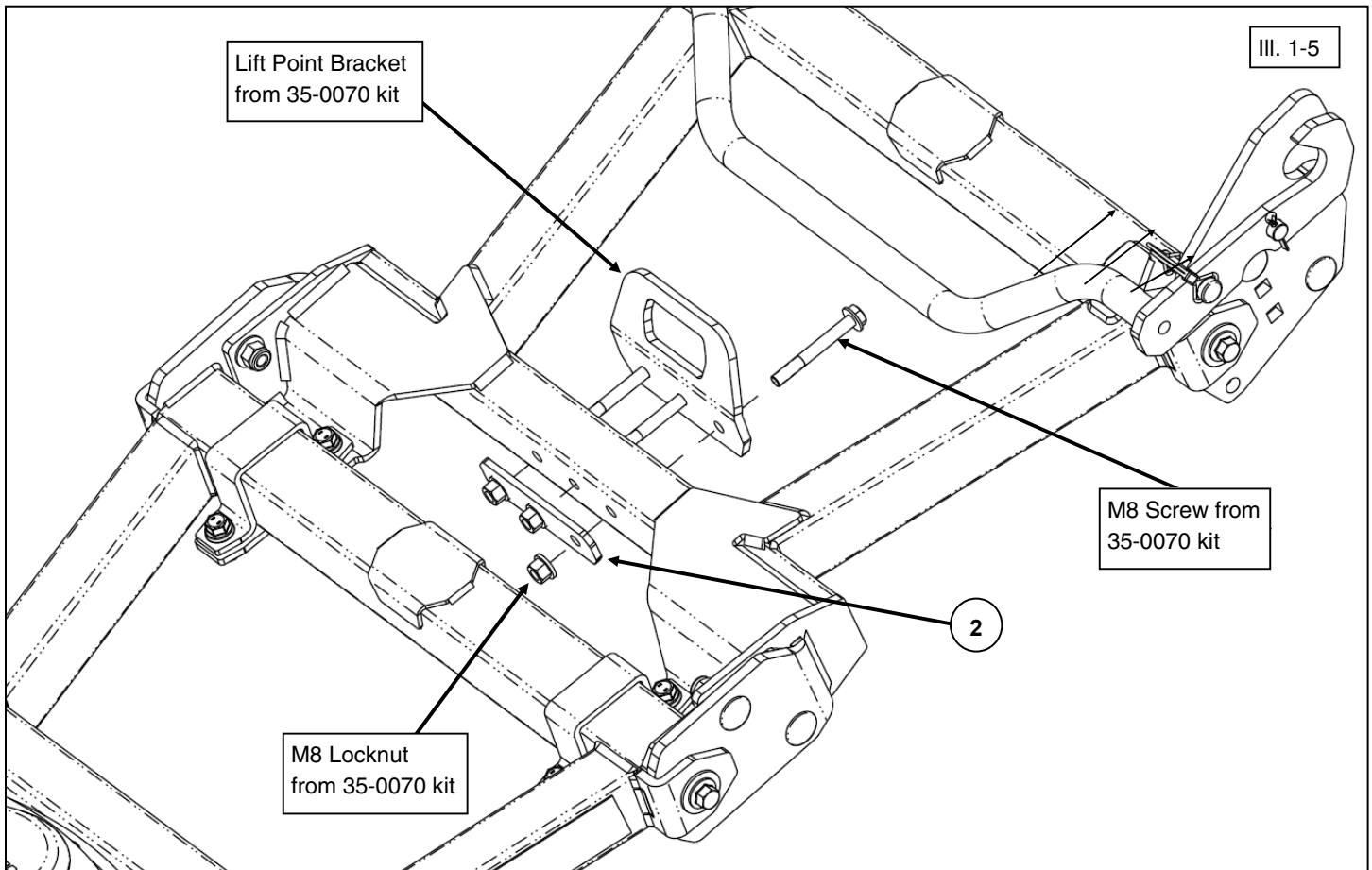
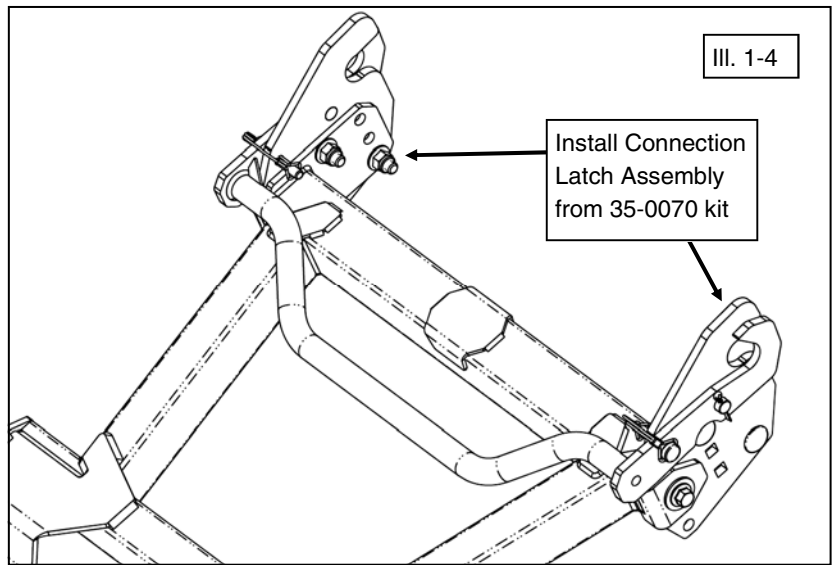
1. Remove the lift point bracket (bracket and three screws & locknuts) from the 35-0070 Plow Frame as shown. Keep the as these will be reinstalled onto the 35-0350 extension frame (item #3). (See illustration 1-1).
2. Remove the Connection Latch assembly (latch tube, two side plates, two M10 hex flange screws & washers, four M10 carriage screws & locknuts) from the 35-0070 Plow Frame as shown. Keep the items as these will be reinstalled onto the rear of 35-0350 extension frame (item #3). (See illustration 1-2). **Note, keep the cotter pin and safety wire lock pins installed with the Connection Latch assembly.**
3. Install Extension Frame (item #3) onto the rear of the 35-0070 Plow Frame as shown. Install the M10 carriage screws (item #11) through the Extension Frame and Plow Frame holes and fasten using M10 locknuts (item #6). Install the M10 hex flange screws (item #4) through M10 lock washer (item #9) and through M10 flat washer (item #8) and through the Plow Frame. (See illustration 1-3).
4. Install the tube frame clamp brackets (item #1) over the Plow Frame as shown. Fasten using M8 hex flange screws (item #5) through M8 lock washer (item #7) through M8 flat washer (item #10) and into the Extension Frame threaded tab. (See illustration 1-3).
5. Tighten all hardware to specifications.



INSTALLATION INSTRUCTIONS

EXTENSION FRAME ASSEMBLY (continued)

6. Install the Connection Latch Assembly onto the rear of the Extension Frame (item #3) as shown. Install using the M10 hardware removed in step 2 and tighten to M10 specifications. (See illustration 1-4). **Note, refer to 35-0070 Plow Frame install instructions for additional assistance.**
7. Install the lift point bracket onto the Extension Frame (item #3) as shown using the M8 hardware. Install the Tube Support Plate (item #2) under the locknuts. Tighten to M8 specifications. (See illustration 1-5). **Note, the lift point bracket can be installed on the rear of the extension tube as shown or on the front of the extension tube (not shown).**





Two Year Limited Warranty

For the period of two (2) years from the purchase date, Kolpin will replace for the original purchaser, free of charge, any part or parts found upon examination by Kolpin to be defective in material, workmanship, or both.

All transportation costs incurred submitting product to Kolpin for warranty consideration must be borne by the purchaser. If Kolpin determines that the product must be returned to the factory for credit, please call 1-877-956-5746 for a Return Merchandise Authorization (RMA) number and shipping instructions.

This warranty does not apply to parts that have been damaged by accident, alteration, abuse, improper maintenance, normal wear, or other causes beyond the manufacturer's control. In order to protect you and your ATV, certain parts of the plow system and/or hardware are designed to fail when the equipment is over-stressed. Parts that are lost due to loosening and improper maintenance are not covered under warranty. This warranty does not cover removal or reinstallation labor fees of the plow system and related components.

Peripheral products such as engines, electric motors, and actuators may carry an original manufacturer's warranty. Most hardware is general in nature and is easily obtained locally. Be sure to replace with minimum metric class 8.8 specification.

Kolpin Outdoors, Inc.

Telephone: (763)-478-5800

Toll Free: (877)-956-5746

Fax Number: (800)-245-7569

www.kolpin.com

Email: customerservice@kolpin.com